

SCARA Robot(Protection)

RS405 RS410



Dimensions

Features

High precision and high flexibility SCARA robot is widely used in various automation field. It can be easily integrated with peripheral control units and combined with linear modules, vision systems, end effectors etc. In addition to stand alone operations, it can also be used in a system workstations, and can easily adapt to changes in the production line to enhance quality and efficiency.

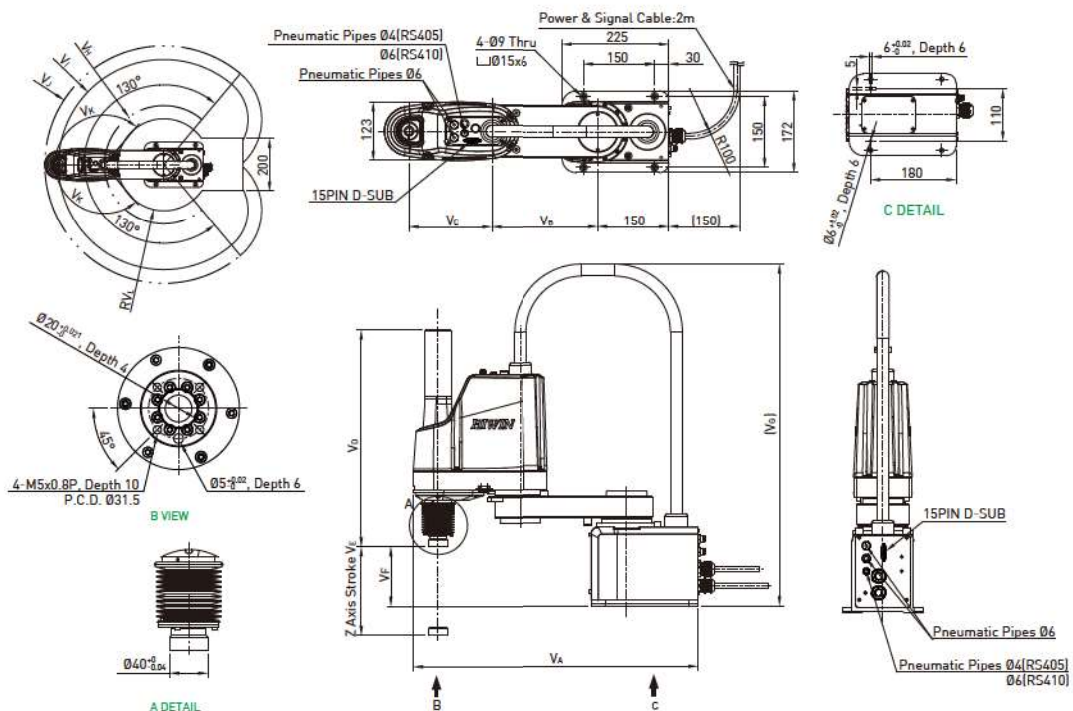
Application

Material handling, arranging, packaging, assembly, dispensing, component insertion, inspection.

Model	RS405-LU		RS410-LU		
Degrees of freedom	4				
Rated/Max. payload [kg]	2/5		5/10		
Max. working radius [mm]	400	500	600	700	800
Working range	J1[deg]				
	±130		±150		
	J3[mm]				
	200/400		±360		
Cycle time[s]*Note 1	0.42		0.52		
	J1+J2[mm]		±0.01	±0.02	±0.02
Repeatability	J3[mm]				
	±0.01				
	J4[deg]				
±0.01					
Pneumatic joint [mm]	Ø6x2, Ø4x1		Ø6x3		
Weight[kg]	22	23	30	31	32
Protection rating	IP40				
Controller	RC4-A				
Safety/Environmental standard	CE/RoHS2.0				

* Note 1: Based on a back-and-forth movement over a vertical distance of 25mm and a horizontal distance of 100mm.

Model / Dimensions	V _A	V _B	V _C	V _D	V _E	V _F	V _G	V _H	V _I	V _J	V _K	V _L		
RS405-400-20P-LU	602	225	175	456.5	200	125	720	R225	R400	R452	130°	R175.1		
RS405-400-40P-LU				655	400			R325	R500	R552		R251.3		
RS405-500-20P-LU	702	325		456.5	200	123		R325	R600	R666	150°	R162.7		
RS405-500-40P-LU				655	400			R425	R700	R766		R232		
RS410-600-20P-LU	816	325	461	200	142	780	R525	R800	R866	R318.1				
RS410-600-40P-LU			661	400			R325	R600	R666	R162.7				
RS410-700-20P-LU	916	425	459	200			142	780	R425	R700	R766	150°	R232	
RS410-700-40P-LU			659	400					R525	R800	R866		R318.1	
RS410-800-20P-LU	1016	525	459	200	142	780			R525	R800	R866		150°	R232
RS410-800-40P-LU			659	400					R525	R800	R866			R318.1



Unit:mm